

Inner circulation ball screw

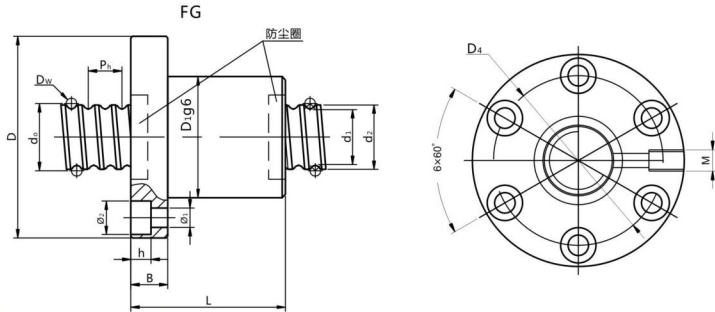


Table with 22 columns: Model No, Screw Dimensions (Pitch Diameter, Outer Diameter, Root Diameter, Lead, Ball Diameter, Circuit numbers), Ballnut Size (D1, D, D4, B, M, Ø1, Ø2, h, L, FG, FGD), Basic Load Rating (T) (Dynamic, Static), and Stiffness (N/µm) (FG, FGD). Contains 50 rows of data.

Inner circulation ball screw

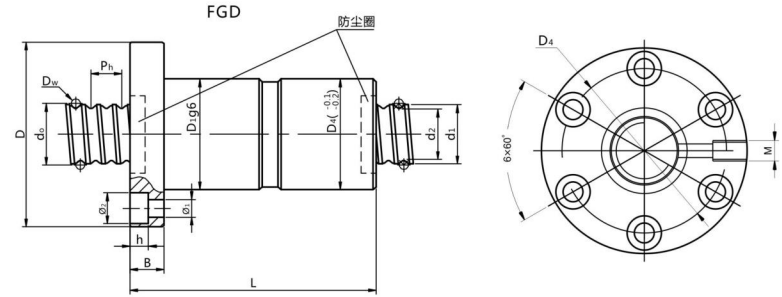
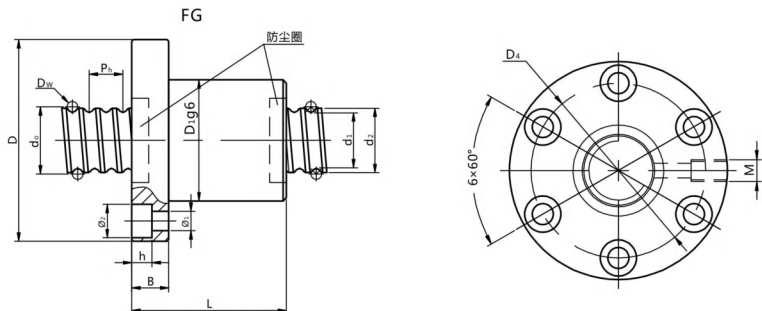


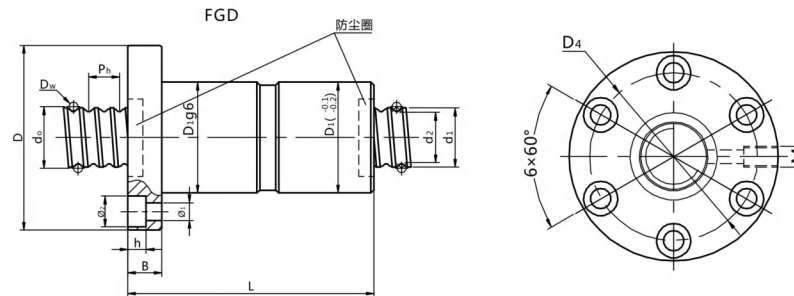
Table with 22 columns: Model No, Screw Dimensions (Pitch Diameter, Outer Diameter, Root Diameter, Lead, Ball Diameter, Circuit numbers), Ballnut Size (D1, D, D4, B, M, Ø1, Ø2, h, L, FG, FGD), Basic Load Rating (T) (Dynamic, Static), and Stiffness (N/µm) (FG, FGD). Contains 50 rows of data.

Inner circulation ball screw



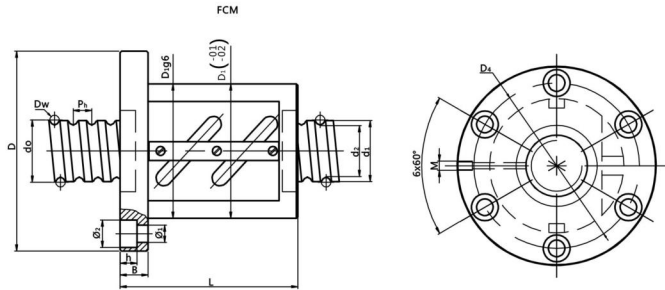
Model No	Screw Dimensions				Ball Diameter Dw	Circuit numbers	Ballnut Size										Basic Load Rating (T)		Stiffness Ka (N/μm)	
	Pitch Diameter d _e	Outer Diameter d1	Root Diameter d2	Lead Ph			D1	D	D4	B	M	Ø1	Ø2	h	FG	FGD	Ca	Coa	FG	FGD
5020-3	50	49.0	41.8	20	7.144	3	90	138	112	28	M8×1	13.5	22.0	13.0	145	284	3.789	10.234	511	1022
5020-4	50	49.0	41.8	20	7.144	4	90	138	112	28	M8×1	13.5	22.0	13.0	168	306	4.857	13.645	674	1348
6308-3	63	61.5	57.5	8	4.763	3	90	132	110	18	M8×1	11.0	18.0	11.0	70	123	2.512	9.318	561	1122
6308-4	63	61.5	57.5	8	4.763	4	90	132	110	18	M8×1	11.0	18.0	11.0	80	140	3.217	12.424	739	1478
6308-5	63	61.5	57.5	8	4.763	5	90	132	110	18	M8×1	11.0	18.0	11.0	90	163	3.898	15.531	916	1832
6308-6	63	61.5	57.5	8	4.763	6	90	132	110	18	M8×1	11.0	18.0	11.0	96	177	4.560	18.637	1091	2182
6310-3	63	61.2	55.7	10	6.350	3	90	138	112	22	M8×1	13.5	22.0	13.0	86	152	3.703	12.121	585	1170
6310-4	63	61.2	55.7	10	6.350	4	90	138	112	22	M8×1	13.5	22.0	13.0	98	172	4.742	16.162	771	1542
6310-5	63	61.2	55.7	10	6.350	5	90	138	112	22	M8×1	13.5	22.0	13.0	110	195	5.746	20.202	956	1912
6310-6	63	61.2	55.7	10	6.350	6	90	138	112	22	M8×1	13.5	22.0	13.0	118	214	6.721	24.243	1138	2276
6312-3	63	61.0	54.8	12	7.144	3	90	138	112	22	M8×1	13.5	22.0	13.0	100	174	4.246	13.102	587	1174
6312-4	63	61.0	54.8	12	7.144	4	90	138	112	22	M8×1	13.5	22.0	13.0	110	198	5.438	17.469	773	1546
6312-5	63	61.0	54.8	12	7.144	5	90	138	112	22	M8×1	13.5	22.0	13.0	125	225	6.588	21.837	958	1916
6312-6	63	61.0	54.8	12	7.144	6	90	138	112	22	M8×1	13.5	22.0	13.0	136	248	7.707	26.204	1179	2358
6316-4	63	61.0	52.0	16	7.144	4	95	148	118	28	M8×1	13.5	22.0	13.0	140	266	5.428	17.445	792	1584
6316-5	63	61.0	52.0	16	7.144	5	95	148	118	28	M8×1	13.5	22.0	13.0	163	306	6.576	21.806	981	1962
6320-4	63	60.5	52.0	20	7.938	4	95	148	118	28	M8×1	13.5	22.0	13.0	165	304	8.276	27.264	1030	2060
6320-5	63	60.5	52.0	20	7.938	5	95	148	118	28	M8×1	13.5	22.0	13.0	189	354	10.027	34.080	1276	2552
8010-3	80	78.1	72.7	10	6.350	3	105	156	130	22	M8×1	13.5	22.0	13.0	88	152	4.120	15.677	673	1346
8010-4	80	78.1	72.7	10	6.350	4	105	156	130	22	M8×1	13.5	22.0	13.0	96	172	5.276	20.902	888	1776
8010-5	80	78.1	72.7	10	6.350	5	105	156	130	22	M8×1	13.5	22.0	13.0	110	195	6.393	26.128	1100	2200
8010-6	80	78.1	72.7	10	6.350	6	105	156	130	22	M8×1	13.5	22.0	13.0	118	214	7.478	31.353	1311	2622
8012-3	80	77.9	71.8	12	7.144	3	110	158	132	22	M8×1	13.5	22.0	13.0	98	177	4.854	17.587	717	1434
8012-4	80	77.9	71.8	12	7.144	4	110	158	132	22	M8×1	13.5	22.0	13.0	110	202	6.217	23.450	945	1890
8012-5	80	77.9	71.8	12	7.144	5	110	158	132	22	M8×1	13.5	22.0	13.0	125	228	7.532	29.312	1171	2342
8012-6	80	77.9	71.8	12	7.144	6	110	158	132	22	M8×1	13.5	22.0	13.0	136	248	8.810	35.174	1363	2726
8016-3	80	77.5	69.0	16	7.938	3	118	168	140	28	M8×1	13.5	22.0	13.0	122	218	7.205	26.279	928	1856
8016-4	80	77.5	69.0	16	7.938	4	118	168	140	28	M8×1	13.5	22.0	13.0	138	250	9.227	35.038	1223	2446
8016-5	80	77.5	69.0	16	7.938	5	118	168	140	28	M8×1	13.5	22.0	13.0	164	298	11.179	43.798	1515	3030
8016-6	80	77.5	69.0	16	7.938	6	118	168	140	28	M8×1	13.5	22.0	13.0	172	329	13.077	52.557	1805	3610

Inner circulation ball screw



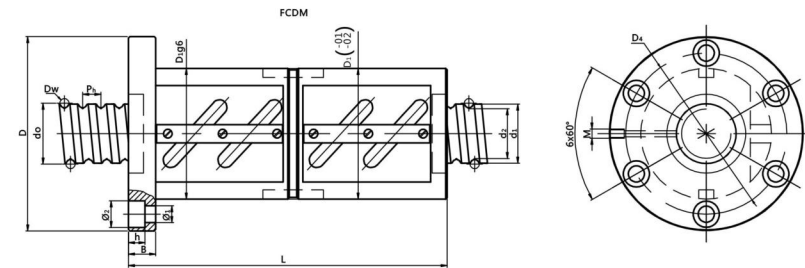
Model No	Screw Dimensions				Ball Diameter Dw	Circuit numbers	Ballnut Size										Basic Load Rating (T)		Stiffness Ka (N/μm)	
	Pitch Diameter d _e	Outer Diameter d1	Root Diameter d2	Lead Ph			D1	D	D4	B	M	Ø1	Ø2	h	FG	FGD	Ca	Coa	FG	FGD
8020-3	80	77.2	68.5	20	9.525	3	118	168	140	28	M10×1	13.5	22.0	13.0	142	250	9.148	30.892	954	1908
8020-4	80	77.2	68.5	20	9.525	4	118	168	140	28	M10×1	13.5	22.0	13.0	166	306	11.717	41.189	1257	2514
8020-5	80	77.2	68.5	20	9.525	5	118	168	140	28	M10×1	13.5	22.0	13.0	194	358	14.195	51.487	1557	3114
10012-3	100	97.8	91.8	12	7.144	3	130	192	160	25	M10×1	17.5	28.0	17.0	102	180	5.399	22.645	828	1656
10012-4	100	97.8	91.8	12	7.144	4	130	192	160	25	M10×1	17.5	28.0	17.0	115	204	6.915	30.193	1092	2184
10012-5	100	97.8	91.8	12	7.144	5	130	192	160	25	M10×1	17.5	28.0	17.0	130	237	8.378	37.741	1354	2708
10012-6	100	97.8	91.8	12	7.144	6	130	192	160	25	M10×1	17.5	28.0	17.0	139	251	9.800	45.289	1613	3226
10016-3	100	97.2	89.0	16	9.525	3	140	202	170	28	M10×1	17.5	28.0	17.0	125	220	10.376	40.609	1113	2226
10016-4	100	97.2	89.0	16	9.525	4	140	202	170	28	M10×1	17.5	28.0	17.0	140	250	13.289	54.146	1468	2936
10016-5	100	97.2	89.0	16	9.525	5	140	202	170	28	M10×1	17.5	28.0	17.0	163	298	16.000	67.682	1818	3936
10016-6	100	97.2	89.0	16	9.525	6	140	202	170	28	M10×1	17.5	28.0	17.0	174	335	18.834	81.218	2167	4334
10020-3	100	97.0	88.5	20	10.000	3	140	202	170	28	M10×1	17.5	28.0	17.0	148	256	10.939	41.696	1135	2270
10020-4	100	97.0	88.5	20	10.000	4	140	202	170	28	M10×1	17.5	28.0	17.0	168	298	14.010	55.595	1496	2992
10020-5	100	97.0	88.5	20	10.000	5	140	202	170	28	M10×1	17.5	28.0	17.0	190	380	16.974	69.494	1853	3706
10020-6	100	97.0	88.5	20	10.000	6	140	202	170	28	M10×1	17.5	28.0	17.0	210	402	19.855	83.393	2207	4414
12020-3	120	117.0	108.5	20	10.000	3	160	225	190	28	M10×1	17.5	28.0	17.0	148	272	11.893	50.875	1081	2162
12020-4	120	117.0	108.5	20	10.000	4	160	225	190	28	M10×1	17.5	28.0	17.0	168	334	15.232	67.833	1428	2856
12020-5	120	117.0	108.5	20	10.000	5	160	225	190	28	M10×1	17.5	28.0	17.0	194	370	18.454	84.792	1772	3544
12020-6	120	117.0	108.5	20	10.000	6	160	225	190	28	M10×1	17.5	28.0	17.0	210	399	21.587	101.750	2114	4228
12516-3	125	122.2	114.0	16	9.525	3	160	240	200	32	M10×1	22.0	35.0	21.0	132	226	11.467	51.709	1235	2470
12516-4	125	122.2	114.0	16	9.525	4	160	240	200	32	M10×1	22.0	35.0	21.0	140	274	14.686	68.946	1631	3262
12516-5	125	122.2	114.0	16	9.525	5	160	240	200	32	M10×1	22.0	35.0	21.0	163	298	17.792	86.182	2022	4044
12516-6	125	122.2	114.0	16	9.525	6	160	240	200	32	M10×1	22.0	35.0	21.0	180	324	20.813	103.419	2411	4822
12520-3	125	122.0	113.5	20	10.000	3	160	240	200	32	M10×1	22.0	35.0	21.0	151	276	12.224	53.919	1293	2586
12520-4	125	122.0	113.5	20	10.000	4	160	240	200	32	M10×1	22.0	35.0	21.0	168	338	15.656	71.892	1706	3412
12520-5	125	122.0	113.5	20	10.000	5	160	240	200	32	M10×1	22.0	35.0	21.0	196	379	18.968	89.865	2114	4228
12520-6	125	122.0	113.5	20	10.000	6	160	240	200	32	M10×1	22.0	35.0	21.0	214	406	22.188	107.838	2520	5040
16020-3	160	156.6	146.2	20	12.000	3	200	278	235	36	M10×1	22.0	35.0	21.0	155	280	17.305	82.102	1497	2994
16020-4	160	156.6	146.2	20	12.000	4	200	278	235	36	M10×1	22.0	35.0	21.0	168	338	22.163	109.469	1976	3952
16020-5	160	156.6	146.2	20	12.000	5	200	278	235	36	M10×1	2								

External circulating ball screw



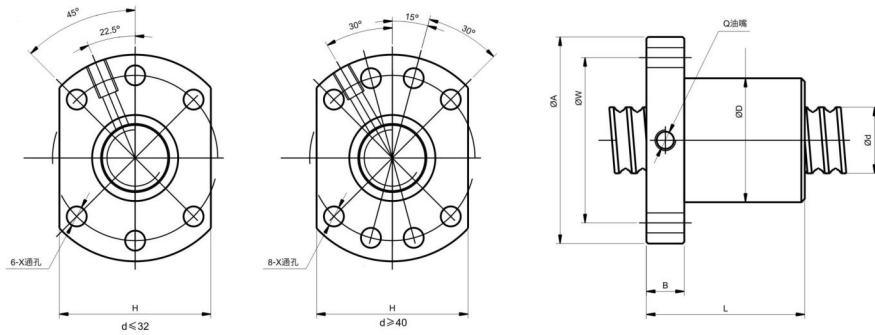
Model No	Screw Dimensions				Ball Diameter Dw	Circuit numbers		Ballnut Size										Basic Load Rating(T)		Stiffness Ka (N/μm)		
	Pitch Diameter	Outer Diameter	Root Diameter	Lead		CM	CDM	D1	D	D4	B	M	Ø1	Ø2	h	L	CM	CDM	Ca	Coa	CM	CDM
	d ₂	d ₁	d ₂	Ph																		
2004-25	20	19.5	17.3	4	2.381	1×2.5	1×25×2	40	66	53	11	M6	5.8	10	6	39	72	4826	11601	183	366	
2004-5	20	19.5	17.3	4	2.381	2×2.5	2×25×2	40	66	53	11	M6	5.8	10	6	55	102	8760	23202	356	712	
2005-25	20	19.3	16.3	5	3.175	1×2.5	1×25×2	45	70	56	11	M6	5.8	10	6	40	80	7568	16519	201	402	
2005-5	20	19.3	16.3	5	3.175	2×2.5	2×25×2	45	70	56	11	M6	5.8	10	6	62	106	13736	33039	392	784	
2504-25	25	24.3	22.3	4	2.381	1×2.5	1×25×2	50	76	63	11	M6	5.8	10	6	39	72	5367	14824	219	438	
2504-5	25	24.3	22.3	4	2.381	2×2.5	2×25×2	50	76	63	11	M6	5.8	10	6	56	102	9742	29648	427	854	
2505-25	25	24.2	21.3	5	3.175	1×2.5	1×25×2	50	76	63	11	M6	5.8	10	6	40	80	8475	21055	241	482	
2505-5	25	24.2	21.3	5	3.175	2×2.5	2×25×2	50	76	63	11	M6	5.8	10	6	62	108	15382	42111	468	936	
2506-25	25	24.2	20.4	6	3.175	1×2.5	1×25×2	50	76	63	11	M6	5.8	10	6	44	86	8465	21037	239	478	
2506-5	25	24.2	20.4	6	3.175	2×2.5	2×25×2	50	76	63	11	M6	5.8	10	6	64	123	15364	42074	464	928	
3205-25	32	31.2	28.3	5	3.175	1×2.5	1×25×2	60	90	75	13	M6	7	12	7	42	80	9497	27408	290	580	
3205-5	32	31.2	28.3	5	3.175	2×2.5	2×25×2	60	90	75	13	M6	7	12	7	62	115	17328	54817	565	1130	
3206-25	32	31	27.4	6	3.969	1×2.5	1×25×2	60	90	75	13	M6	7	12	7	46	87	12952	34311	304	608	
3206-5	32	31	27.4	6	3.969	2×2.5	2×25×2	60	90	75	13	M6	7	12	7	66	125	23508	68622	592	1184	
3208-25	32	30.4	26.5	8	4.763	1×2.5	1×25×2	67	104	85	15	M6	9	15	9	58	106	16593	41197	320	640	
3208-5	32	30.4	26.5	8	4.763	2×2.5	2×25×2	67	104	85	15	M6	9	15	9	86	156	30117	82395	622	1244	
3210-25	32	30.2	24.7	10	6.35	1×2.5	1×25×2	71	110	90	15	M6	9	15	9	70	130	23203	51592	319	638	
3210-5	32	30.2	24.7	10	6.35	2×2.5	2×25×2	71	110	90	15	M6	9	15	9	102	185	42115	103184	618	1236	
4005-25	40	39.2	36.3	5	3.175	1×2.5	1×25×2	67	104	85	15	M6	9	15	9	45	86	12928	40029	341	682	
4005-5	40	39.2	36.3	5	3.175	2×2.5	2×25×2	67	104	85	15	M6	9	15	9	65	123	18977	69342	659	1318	
4006-25	40	39	35.4	6	3.969	1×2.5	1×25×2	71	110	90	15	M6	9	15	9	48	94	14196	42837	355	710	
4006-5	40	39	35.4	6	3.969	2×2.5	2×25×2	71	110	90	15	M6	9	15	9	66	126	25766	85675	691	1382	
4008-25	40	38.5	34.5	8	4.763	1×2.5	1×25×2	75	110	90	15	M6	9	15	9	58	106	18287	51441	375	750	
4008-5	40	38.5	34.5	8	4.763	2×2.5	2×25×2	75	110	90	15	M6	9	15	9	82	156	33192	102883	729	1458	
4010-25	40	38.2	32.7	10	6.35	1×2.5	1×25×2	85	128	105	18	M8×1	11	18	11	72	137	26354	66095	386	772	
4010-3	40	38.2	32.7	10	6.35	2×1.5	2×15×2	85	128	105	18	M8×1	11	18	11	90	171	30828	79314	459	918	
4010-5	40	38.2	32.7	10	6.35	2×2.5	2×25×2	85	128	105	18	M8×1	11	18	11	103	194	47878	132313	749	1498	

External circulating ball screw



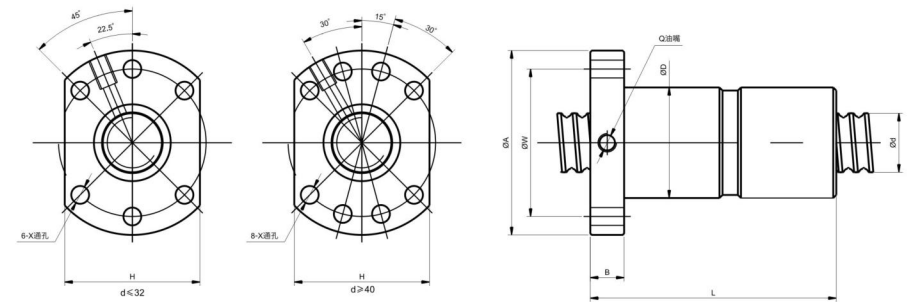
Model No	Screw Dimensions				Ball Diameter Dw	Circuit numbers		Ballnut Size										Basic Load Rating (T)		Stiffness Ka (N/μm)		
	Pitch Diameter	Outer Diameter	Root Diameter	Lead		CM	CDM	D	D1	D4	B	M	Ø1	Ø2	h	L	CM	CDM	Ca	Coa	CM	CDM
	d ₂	d ₁	d ₂	Ph																		
5006-25	50	49	45.4	6	3.969	1×2.5	1×25×2	85	120	100	15	M8×1	9	15	9	48	94	15626	54185	417	834	
5006-5	50	49	45.4	6	3.969	2×2.5	2×25×2	85	120	100	15	M8×1	9	15	9	68	126	28363	108371	811	1622	
5008-25	50	48.5	44.5	8	4.763	1×2.5	1×25×2	85	128	105	18	M8×1	11	18	11	60	112	20338	65728	444	888	
5008-5	50	48.5	44.5	8	4.763	2×2.5	2×25×2	85	128	105	18	M8×1	11	18	11	85	158	36914	131457	864	1728	
5010-3	50	48.2	42.7	10	6.35	2×1.5	2×15×2	95	140	118	18	M8×1	11	18	11	90	171	34522	101084	548	1096	
5010-5	50	48.2	42.7	10	6.35	2×2.5	2×25×2	95	140	118	18	M8×1	11	18	11	103	195	53565	168473	894	1788	
5012-3	50	49	41.8	12	7.144	2×1.5	2×15×2	100	152	125	22	M8×1	13.5	22	13	107	205	41220	116722	577	1154	
5012-5	50	49	41.8	12	7.144	2×2.5	2×25×2	100	152	125	22	M8×1	13.5	22	13	123	231	63959	194536	941	1882	
6308-3	63	61.5	57.5	8	4.763	2×1.5	2×15×2	105	148	125	18	M8×1	11	18	11	74	137	25899	98529	617	1234	
6308-5	63	61.5	57.5	8	4.763	2×2.5	2×25×2	105	148	125	18	M8×1	11	18	11	85	158	40186	164216	1007	2014	
6310-3	63	61.2	55.7	10	6.35	2×1.5	2×15×2	110	158	132	22	M8×1	13.5	22	13	94	180	38836	131518	660	1320	
6310-5	63	61.2	55.7	10	6.35	2×2.5	2×25×2	110	158	132	22	M8×1	13.5	22	13	107	200	60260	219197	1078	2156	
6312-3	63	61	54.8	12	7.144	2×1.5	2×15×2	118	166	140	22	M8×1	13.5	22	13	107	205	45010	144450	673	1346	
6312-5	63	61	54.8	12	7.144	2×2.5	2×25×2	118	166	140	22	M8×1	13.5	22	13	123	231	69839	240751	1097	2194	
8010-3	80	78.1	72.7	10	6.35	2×1.5	2×15×2	130	186	160	22	M10×1	13.5	22	13	98	182	42588	166432	771	1542	
8010-5	80	78.1	72.7	10	6.35	2×2.5	2×25×2	130	186	160	22	M10×1	13.5	22	13	110	205	66081	277387	1259	2518	
8012-3	80	77.9	71.8	12	7.144	2×1.5	2×15×2	140	196	170	22	M10×1	13.5	22	13	107	205	50499	188513	8112	1624	
8012-5	80	77.9	71.8	12	7.144	2×2.5	2×25×2	140	196	170	22	M10×1	13.5	22	13	123	231	78356	314188	1325	2650	
8016-3	80	77.5	69	16	9.525	2×1.5	2×15×2	150	206	180	28	M10×1	13.5	22	13	132	240	75565	285123	1005	2010	
8016-5	80	77.5	69	16	9.525	2×2.5	2×25×2	150	206	180	28	M10×1	13.5	22	13	160	302	117249	475205	1641	3282	
10012-3	100	97.8	91.8	12	7.144	2×1.5	2×15×2	160	216	190	25	M10×1	17.5	28	17	110	205	55465	238156	944	188	
10012-5	100	97.8	91.8	12	7.144	2×2.5	2×25×2	160	216	190	25	M10×1	17.5	28	17	126	234	86062	396927	1542	3084	
10016-3	100	97.2	89	16	9.525	2×1.5	2×15×2	170	234	200	28	M10×1	17.5	28	17	132	240	108359	427766	1261	2522	
10016-5	100	97.2	89	16	9.525	2×2.5	2×25×2	170	234	200	28	M10×1	17.5	28	17	160	302	168134	729611	2059	4118	
10020-3	100	97	86.2	20	10	2×1.5	2×15×2	170	234	200	28	M10×1	17.5	28	17	150	278	123313	542566	1140	2280	
10020-5	100	97	86.2	20	10	2×2.5	2×25×2	170	234	200	28	M10×1	17.5	28	17	210	336	191337	904277	1869	3738	

» SFU



Model No	Screw Dimensions		Circuit numbers	Ball Diameter Dw	Ballnut Size								Basic Load Rating (kgf)		Stiffness Ka(kgf/μm)
	d	Ph			D	A	B	L	W	X	H	Q	Dynamic Rating Load Ca	Static Rating Load Coa	
SFU1204-4	12	4	4	2.5	24	40	10	40	32	4.5	30	593	1129	12.5	
SFU1604-4	16	4	4	2.381	28	48	10	40	38	5.5	40	M6	629	1270	35
SFU1605-4	16	5	4	3.175	28	48	10	50	38	5.5	40	M6	780	1790	20
SFU1610-3	16	10	3	3.175	28	48	10	57	38	5.5	40	M6	721	1279	15
SFU2004-4	20	4	4	2.381	36	58	10	42	47	6.6	44	M6	699	1617	41
SFU2005-4	20	5	4	3.175	36	58	10	51	47	6.6	44	M6	1130	2380	25
SFU2504-4	25	4	4	2.381	40	62	10	42	51	6.6	48	M6	777	2052	48
SFU2505-4	25	5	4	3.175	40	62	10	51	51	6.6	48	M6	1280	3110	35
SFU2506-4	25	6	4	3.969	40	62	10	54	51	6.6	48	M6	1528	3284	40
SFU2508-4	25	8	4	4.763	40	62	10	63	51	6.6	48	M6	1941	3863	38
SFU2510-4	25	10	4	4.763	40	62	12	85	51	6.6	48	M6	1944	3877	33
SFU3204-4	32	4	4	2.381	50	80	12	44	65	9	62	M6	871	2661	56
SFU3205-4	32	5	4	3.175	50	80	12	52	65	9	62	M6	1450	4150	40
SFU3206-4	32	6	4	3.969	50	80	12	57	65	9	62	M6	1720	4298	47
SFU3208-4	32	8	4	4.763	50	80	12	65	65	9	62	M6	2189	5079	44
SFU3210-4	32	10	4	6.35	50	80	12	90	65	9	62	M6	3390	7170	79
SFU4005-4	40	5	4	3.175	63	93	14	55	78	9	70	M6	1610	5330	49
SFU4006-4	40	6	4	3.969	63	93	14	60	78	9	70	M6	1911	5458	55
SFU4008-4	40	8	4	4.763	63	93	14	67	78	9	70	M6	2435	6469	52
SFU4010-4	40	10	4	6.35	63	93	14	93	78	9	70	M8	3910	9520	50
SFU5010-4	50	10	4	6.35	75	110	16	93	93	11	85	M8	4450	12500	65
SFU5020-4	50	20	4	7.144	75	110	16	138	93	11	85	M8	4644	14327	59.5
SFU6310-4	63	10	4	6.35	90	125	18	98	108	11	95	M8	5070	16600	80
SFU6320-4	63	20	4	9.925	95	135	20	149	115	13.5	100	M8	7573	23860	84.1
SFU8010-4	80	10	4	6.35	105	145	20	98	125	13.5	110	M8	5620	21300	90
SFU8020-4	80	20	4	9.525	125	165	25	154	145	13.5	130	M8	8485	30895	84.1
SFU10020-4	100	20	4	9.525	150	202	30	180	170	17.5	135	M8	9420	39183	110.1

» DFU



Model No	Screw Dimensions		Circuit numbers	Ball Diameter Dw	Ballnut Size								Basic Load Rating (kgf)		Stiffness Ka(kgf/μm)
	d	Ph			D	A	B	L	W	X	H	Q	Dynamic Rating Load Ca	Static Rating Load Coa	
DFU1604-4	16	4	4	2.381	28	48	10	80	38	5.5	40	M6	629	1270	35
DFU1605-4	16	5	4	3.175	28	48	10	100	38	5.5	40	M6	780	1790	20
DFU1610-3	16	10	3	3.175	28	48	10	118	38	5.5	40	M6	721	1279	15
DFU2004-4	20	4	4	2.381	36	58	10	80	47	6.6	44	M6	699	1617	41
DFU2005-4	20	5	4	3.175	36	58	10	101	47	6.6	44	M6	1130	2380	25
DFU2504-4	25	4	4	2.381	40	62	10	80	51	6.6	48	M6	777	2052	48
DFU2505-4	25	5	4	3.175	40	62	10	101	51	6.6	48	M6	1280	3110	35
DFU2506-4	25	6	4	3.969	40	62	10	105	51	6.6	48	M6	1528	3284	40
DFU2508-4	25	8	4	4.763	40	62	10	120	51	6.6	48	M6	1941	3863	38
DFU2510-4	25	10	4	4.763	40	62	12	145	51	6.6	48	M6	1944	3877	33
DFU3204-4	32	4	4	2.381	50	80	12	80	65	9	62	M6	871	2661	56
DFU3205-4	32	5	4	3.175	50	80	12	102	65	9	62	M6	1450	4150	40
DFU3206-4	32	6	4	3.969	50	80	12	105	65	9	62	M6	1720	4298	47
DFU3208-4	32	8	4	4.763	50	80	12	122	65	9	62	M6	2189	5079	44
DFU3210-4	32	10	4	6.35	50	80	12	162	65	9	62	M6	3390	7170	79
DFU4005-4	40	5	4	3.175	63	93	14	105	78	9	70	M6	1610	5330	49
DFU4006-4	40	6	4	3.969	63	93	14	108	78	9	70	M6	1911	5458	55
DFU4008-4	40	8	4	4.763	63	93	14	132	78	9	70	M6	2435	6469	52
DFU4010-4	40	10	4	6.35	63	93	14	165	78	9	70	M8	3910	9520	50
DFU5010-4	50	10	4	6.35	75	110	16	171	93	11	85	M8	4450	12500	65
DFU5020-4	50	20	4	7.144	75	110	16	280	93	11	85	M8	4644	14327	59.5
DFU6310-4	63	10	4	6.35	90	125	18	182	108	11	95	M8	5070	16600	80
DFU6320-4	63	20	4	9.925	95	135	20	290	115	13.5	100	M8	7573	23860	84.1
DFU8010-4	80	10	4	6.35	105	145	20	182	125	13.5	110	M8	5620	21300	90
DFU8020-4	80	20	4	9.525	125	165	25	295	145	13.5	130	M8	8485	30895	84.1
DFU10020-4	100	20	4	9.525	150	202	30	340	170	17.5	135	M8	9420	39183	110.1