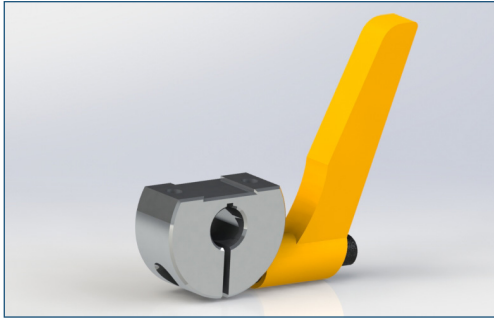
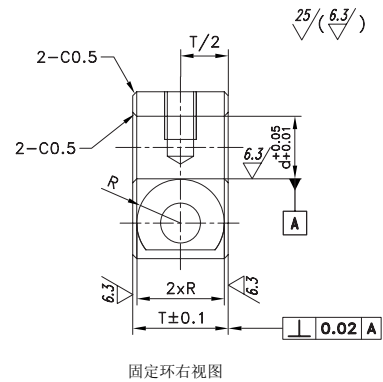
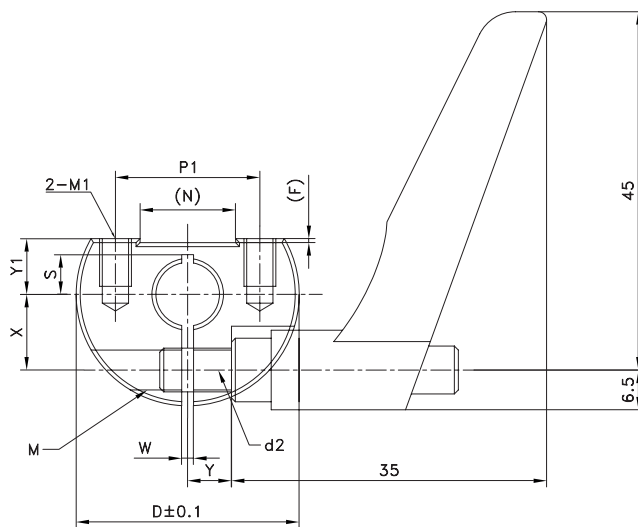


Shaft Collar

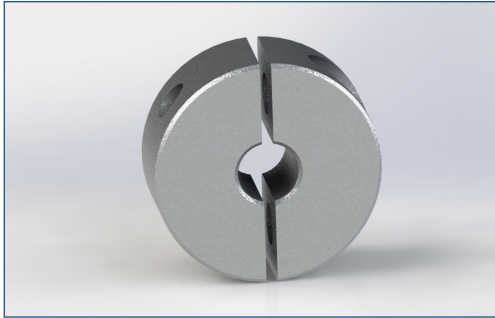
D-cut type with fixed lever



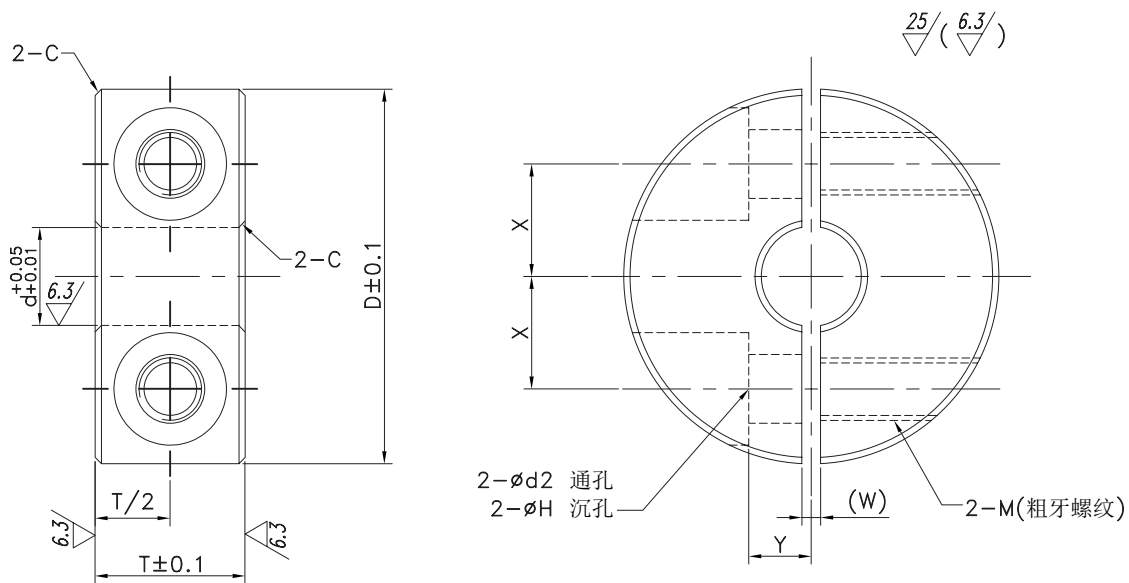
Model No	Shaft Collar		Fixed Handle		Handle thread	
	Material	Surface treatment	Material	Surface treatment	Material	Surface treatment
GDK-AKD	Aluminium alloy	natural oxidation	Zinc	baking finish	SUM24L	Iron tetroxide protective film



Model No	d	T	D	M	M1	d2	P1	(F)	(N)	Y1	R	W	X	Y	S
GDK-AKD-08-28-12	8	28	12	5	M4 deep 6	5.5	18	0.5	12	7	5.5	1.5	9.5	5.5	5
GDK-AKD-10-28-12	10	28	12	5	M4 deep 6	5.5	18	0.5	12	7	5.5	1.5	9.5	5.5	-
GDK-AKD-12-32-12	12	32	12	5	M4 deep 6	5.5	20	0.5	14	8.5	5.5	1.5	10.5	7.5	-
GDK-AKD-15-34-12	15	34	12	5	M4 deep 6	5.5	20	0.5	14	10.5	5.5	1.5	11.5	8.5	-
GDK-AKD-16-36-12	16	36	12	5	M4 deep 6	5.5	22	0.5	16	11	5.5	1.5	12.5	8.5	-
GDK-AKD-20-42-12	20	42	12	5	M5 deep 7.5	5.5	25	0.5	18	14	5.5	1.5	15.5	8.5	-
GDK-AKD-25-48-12	25	48	12	5	M5 deep 7.5	5.5	29	0.5	22	16.5	5.5	1.5	18	11	-
GDK-AKD-30-55-12	30	55	12	5	M5 deep 7.5	5.5	30	0.5	23	20	5.5	1.5	20.5	13.5	-



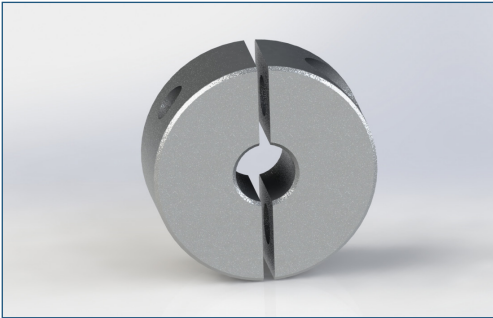
Model No	Shaft Collar		accessories	
	Standard	Material		Surface treatment
GDH-AFC		2000 series Aluminium alloy	Natural anodizing	2 hexagon socket bolts (SUS)



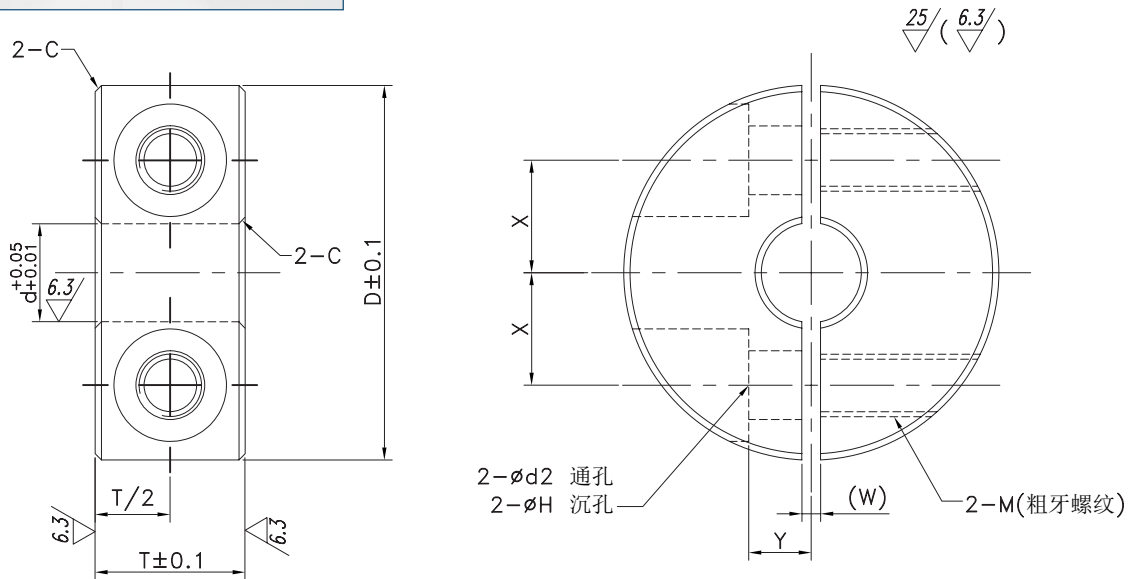
Model No	d	D	T	M	d2	H	C	(W)	X	Y
GDH-AFC-08-30-12	8	30	12	M5	5.5	9	0.5	1.5	9	5
GDH-AFC-08-30-15	8	30	15	M6	6.6	12	0.5	1.5	9	5
GDH-AFC-10-30-10	10	30	10	M4	4.5	7.5	0.5	1.5	9	5
GDH-AFC-12-30-12	12	30	12	M5	5.5	9	0.5	1.5	10	5
GDH-AFC-15-35-12	15	35	12	M5	5.5	9	0.5	1.5	12	6
GDH-AFC-16-35-12	16	35	12	M5	5.5	9	0.5	1.5	12	6
GDH-AFC-20-45-15	20	45	15	M6	6.6	12	0.5	1.5	15	8
GDH-AFC-25-50-15	25	50	15	M6	6.6	12	0.5	1.5	18	10
GDH-AFC-30-55-15	30	55	15	M6	6.6	12	0.5	1.5	20	10
GDH-AFC-35-60-15	35	60	15	M6	6.6	12	1	2	23	12
GDH-AFC-40-70-18	40	70	18	M8	9	14	1	2	26	13
GDH-AFC-50-85-22	50	85	22	M10	11	18	1	3	32	16
GDH-AFC-60-95-22	60	95	22	M10	11	18	1	3	37	18
GDH-AFC-80-130-32	80	130	32	M16	18	26	1.5	5	50	22
GDH-AFC-100-150-36	100	150	36	M16	18	26	1.5	5	60	26

Shaft Collar

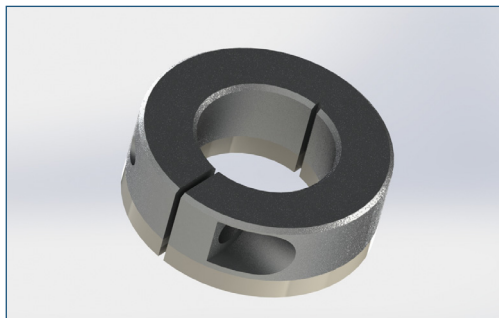
Two-piece type



Model No	Shaft Collar		accessories
	Standard	Material	
GDH-UFC	S45C	Ferric oxide protective film	2 hexagon socket bolts (SUS)
GDH-SFC	SUS304	-	

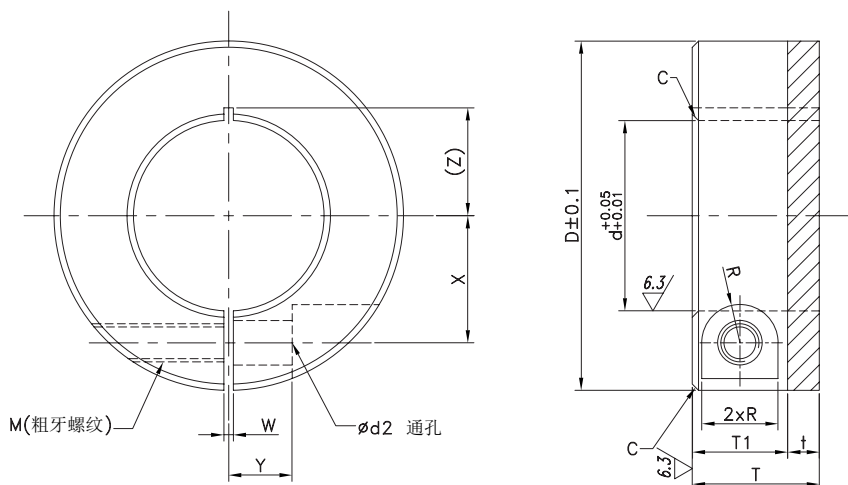


Model No	d	D	T	M	d2	H	C	(W)	X	Y
GDH-UFC-08-18-09 GDH-SFC-08-18-09	8	18	9	M3	3.4	6	0.5	1.5	6.5	5
GDH-UFC-10-24-09 GDH-SFC-10-24-09	10	24	9	M3	3.4	6	0.5	1.5	8.5	5
GDH-UFC-12-28-11 GDH-SFC-12-28-11	12	28	11	M4	4.5	7.5	0.5	1.5	10	5
GDH-UFC-15-34-13 GDH-SFC-15-34-13	15	34	13	M5	5.5	9	0.5	1.5	12.5	6
GDH-UFC-16-34-13 GDH-SFC-16-34-13	16	34	13	M5	5.5	9	0.5	1.5	12.5	6
GDH-UFC-20-40-15 GDH-SFC-20-40-15	20	40	15	M6	6.6	12	0.5	1.5	14.7	7
GDH-UFC-25-45-15 GDH-SFC-25-45-15	25	45	15	M6	6.6	12	0.5	1.5	17.5	7
GDH-UFC-30-54-15 GDH-SFC-30-54-15	30	54	15	M6	6.6	12	1	1.5	21.5	10
GDH-UFC-35-57-15 GDH-SFC-35-57-15	35	57	15	M6	6.6	12	1	2	23.2	12
GDH-UFC-40-60-15 GDH-SFC-40-60-15	40	60	15	M6	6.6	12	1	2	25	13
GDH-UFC-50-78-19 GDH-SFC-50-78-19	50	78	19	M8	9	14	1	3	32	16



Model No	Shaft Collar		accessories
	Material	Surface treatment	
GDH-POC	aluminum	Natural anodizing	1 hexagon socket bolt

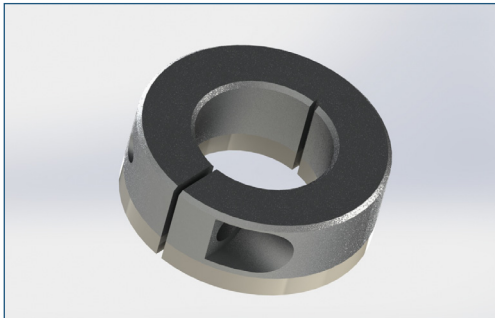
25 / (6.3)



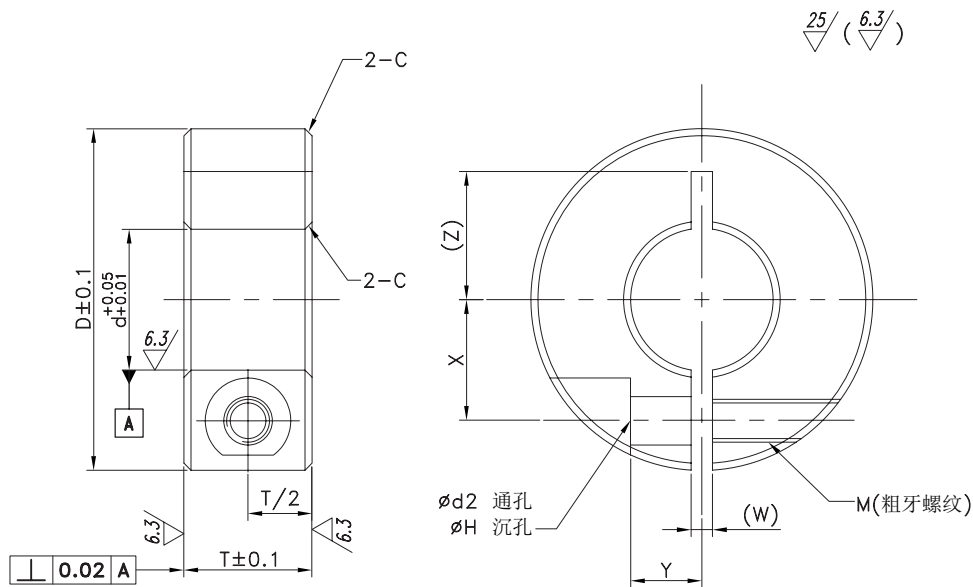
Model No	d	D	T	T1	t	M coarse thread	d2	R	W	X	Y	Z	C
GDH-POC-08-30-18	8	30	18	15	3	M6	7	6	1.5	9	5	7 ~ 10	0.5
GDH-POC-10-35-18	10	35	18	15	3	M6	7	6	1.5	10	6	8 ~ 12.5	0.5
GDH-POC-12-35-18	12	35	18	15	3	M6	7	6	1.5	11	6	9 ~ 12.5	0.5
GDH-POC-13-35-18	13	35	18	15	3	M6	7	6	1.5	11	6	10 ~ 12.5	0.5
GDH-POC-15-40-18	15	40	18	15	3	M6	7	6	1.5	13	8	11 ~ 13	1
GDH-POC-16-40-18	16	40	18	15	3	M6	7	6	1.5	13	8	11 ~ 13	1
GDH-POC-20-45-20	20	45	20	15	5	M6	7	6	1.5	15	8	13 ~ 15	1
GDH-POC-25-50-20	25	50	20	15	5	M6	7	6	1.5	18	10	16 ~ 18	1
GDH-POC-30-55-20	30	55	20	15	5	M6	7	6	1.5	20	10	15 ~ 20	1
GDH-POC-35-60-20	35	60	20	15	5	M6	7	6	2	23	12	17.5 ~ 21	1
GDH-POC-40-70-23	40	70	23	18	5	M8	9	7	2	26	13	20 ~ 23	1
GDH-POC-50-85-27	50	85	27	22	5	M10	11	9	2	32	16	25 ~ 28	1

Shaft Collar

OP

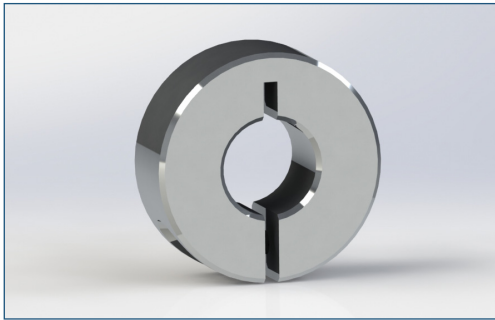


Model No	Shaft Collar		accessories
	Standard	Material	
GDH-UFC	S45C	Iron tetroxide protective film	1 hexagon socket bolt
GDH-SFC	SUS304	-	1 hexagon socket bolt (SUS)

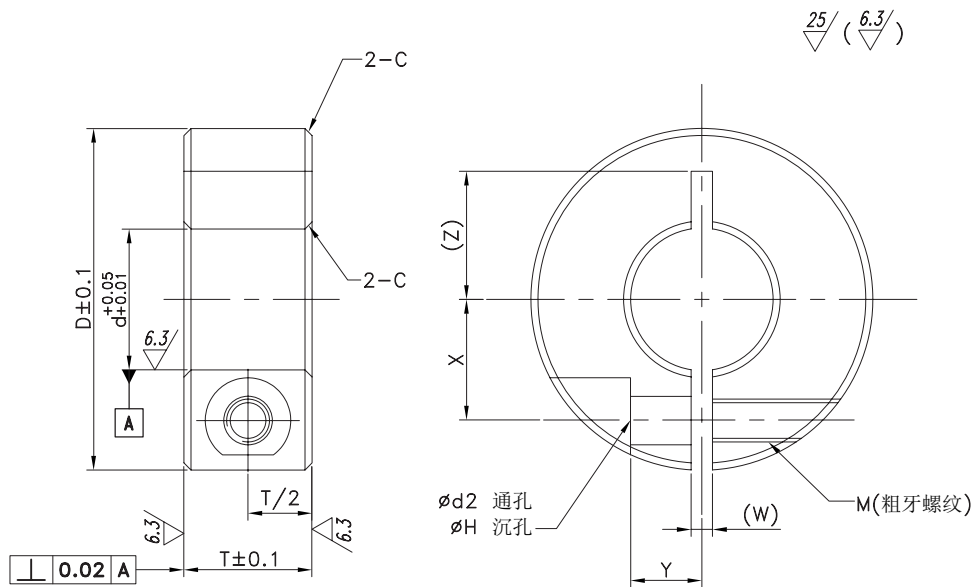


Model No	d	D	T	M coarse thread	d2	C	X	Y	W	Z	H
GDH-UFC-10-24-09 GDH-SFC-10-24-09	10	24	9	M3	3.4	0.5	8.5	5	1.5	8 ~ 10	6
GDH-UFC-12-28-11 GDH-SFC-12-28-11	12	28	11	M4	4.5	0.5	10	5	1.5	9 ~ 10	7.5
GDH-UFC-15-34-13 GDH-SFC-15-34-13	15	34	13	M5	5.5	0.5	12.5	6	1.5	11 ~ 13	9
GDH-UFC-16-34-13 GDH-SFC-16-34-13	16	34	13	M5	5.5	0.5	12.5	6	1.5	11 ~ 13	9
GDH-UFC-20-40-15 GDH-SFC-20-40-15	20	40	15	M6	6.6	0.5	14.7	7	1.5	13 ~ 15	12
GDH-UFC-25-45-15 GDH-SFC-25-45-15	25	45	15	M6	6.6	0.5	17.5	7	1.5	16 ~ 18	12
GDH-UFC-30-54-15 GDH-SFC-30-54-15	30	54	15	M6	6.6	1	21.5	10	1.5	18 ~ 20	12
GDH-UFC-35-57-15 GDH-SFC-35-57-15	35	57	15	M6	6.6	1	23.2	12	2	21	12
GDH-UFC-40-60-15 GDH-SFC-40-60-15	40	60	15	M6	6.6	1	25	13	2	21	12
GDH-UFC-50-78-19 GDH-SFC-50-78-19	50	78	19	M8	9	1	32	16	3	23	14





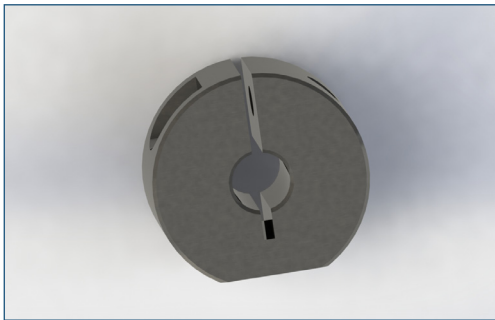
Model No	Shaft Collar		accessories	
	Standard	Material		Surface treatment
GDH-AOC		2000 series Aluminium alloy	Natural anodic oxidation	1 hexagon socket bolt (SUS)



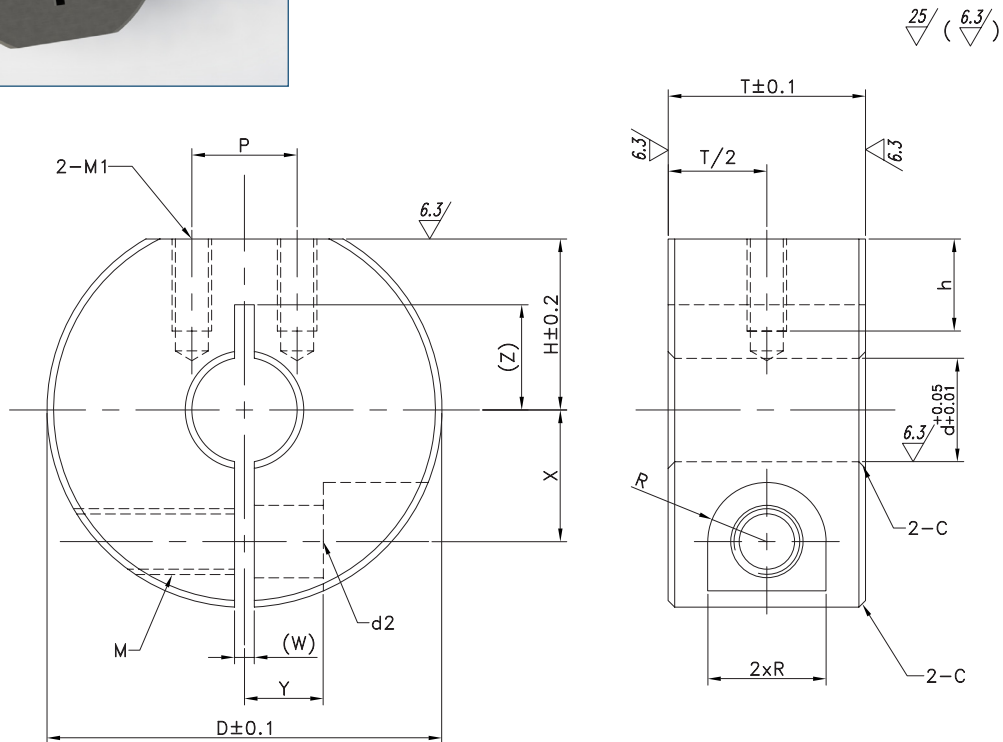
Model No	d	D	T	M coarse thread	d2	C	X	Y	W	Z	H
GDH-AOC-06-20-12	6	20	12	M3	3.4	0.5	6	4	1	6	6
GDH-AOC-08-30-13	8	30	13	M4	4.5	0.5	9	5	1.5	8	7.5
GDH-AOC-10-30-13	10	30	13	M4	4.5	0.5	9	5	1.5	8	7.5
GDH-AOC-12-30-13	12	30	13	M4	4.5	0.5	10	5	1.5	9	7.5
GDH-AOC-13-35-13	13	35	13	M4	4.5	0.5	10	5	1.5	9	7.5
GDH-AOC-15-35-13	15	35	13	M4	4.5	0.5	11.5	6	1.5	10	7.5
GDH-AOC-16-35-13	16	35	13	M4	4.5	0.5	12	6	1.5	11	7.5
GDH-AOC-17-40-15	17	40	15	M4	4.5	0.5	12	6	1.5	11	7.5
GDH-AOC-18-40-15	18	40	15	M4	4.5	0.5	12	6	1.5	11	7.5
GDH-AOC-20-40-15	20	40	15	M4	4.5	0.5	14	7	1.5	13	7.5
GDH-AOC-22-45-15	22	45	15	M5	5.5	0.5	14	7	1.5	13	9
GDH-AOC-25-45-15	25	45	15	M5	5.5	0.5	17	7	1.5	16	9
GDH-AOC-28-50-18	28	50	18	M6	6	0.5	17	7	1.5	16	12
GDH-AOC-30-50-18	30	50	18	M6	6	0.5	20	10	1.5	18	12

Shaft Collar

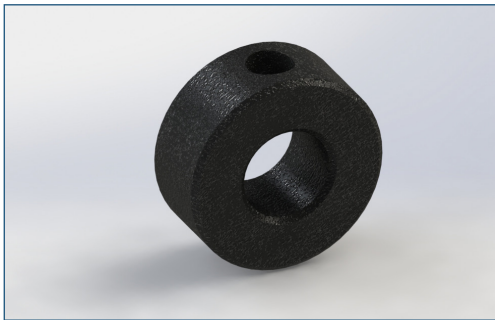
D-cut surface mounting hole type



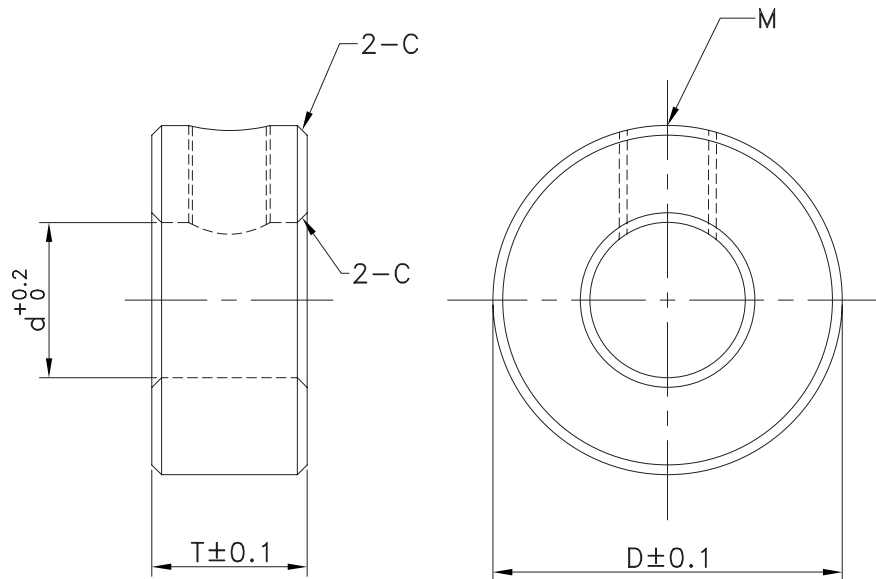
Model No	Shaft Collar		accessories
Standard	Material	Surface treatment	
GDH-ADC	S45C	Iron tetroxide protective film	1 hexagon socket bolt



Model No	d	D	T	M coarse thread	d2	R	H	M1	P	h	W	X	Y	C	Z
GDH-ADC-08-30-15	8	30	15	M5	5.5	4.5	13	M3	8	7	1.5	10	6	0.5	8
GDH-ADC-10-35-15	10	35	15	M5	5.5	4.5	15	M4	10	7	1.5	11.5	6	0.5	10
GDH-ADC-12-35-15	12	35	15	M5	5.5	4.5	15	M4	10	7	1.5	11.5	6	0.5	12
GDH-ADC-13-35-15	13	35	15	M5	5.5	4.5	15	M4	10	7	1.5	11.5	6	0.5	10
GDH-ADC-15-40-15	15	40	15	M6	7	6	17	M5	12	7	1.5	13	8	0.5	12
GDH-ADC-16-40-15	16	40	15	M6	7	6	17	M5	12	7	1.5	13	8	0.5	-
GDH-ADC-18-45-15	18	45	15	M6	7	6	18.5	M5	15	9	1.5	15	8	0.5	-
GDH-ADC-20-45-15	20	45	15	M6	7	6	18.5	M5	15	9	1.5	15	8	0.5	-
GDH-ADC-25-50-15	25	50	15	M6	7	6	21	M5	20	10	1.5	18	10	0.5	-
GDH-ADC-30-55-15	30	55	15	M6	7	6	23.5	M6	21	10	1.5	20	10	1	-
GDH-ADC-35-60-15	35	60	15	M6	7	6	26	M6	23	10	2	23	12	1	-
GDH-ADC-40-70-18	40	70	18	M8	9	7	30	M6	26	12	2	26	13	1	-
GDH-ADC-50-85-22	50	85	22	M10	11	9	37	M8	28	13	3	32	16	1	-



Model No	Shaft Collar		accessories
	Standard	Material	
GDH-UOS	S45C	black oxide coating	1 stop screw

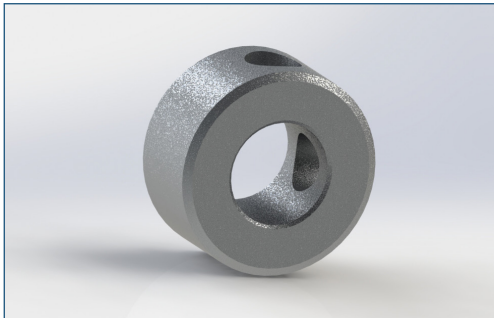


Note: two threaded holes if bore diameter above 35mm

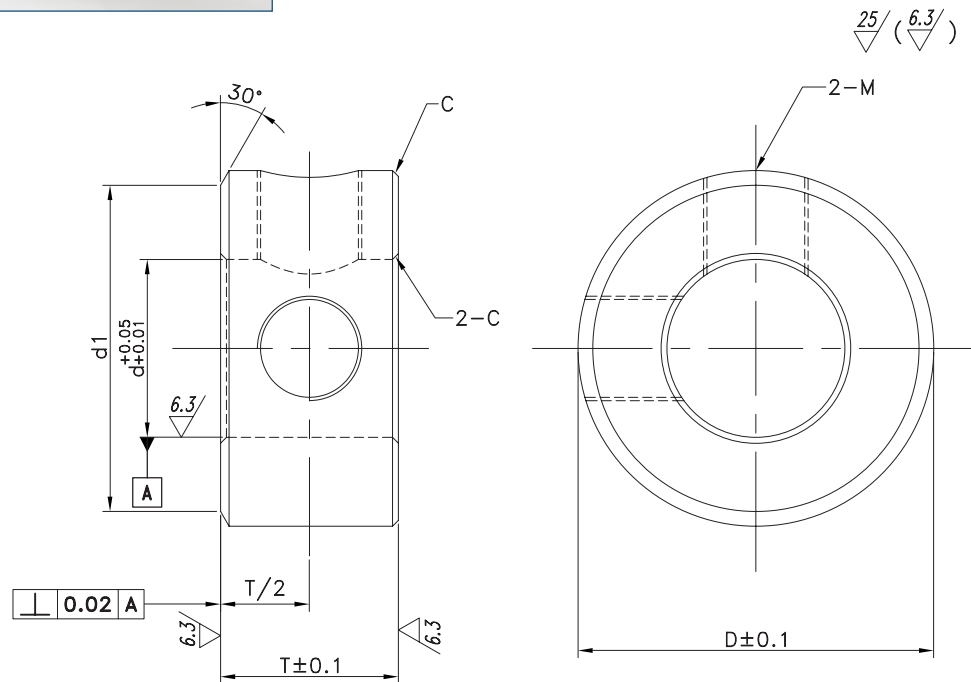
Model No	d	D	T	M	C
GDH-UOS-08-18-08	8	18	8	M5	0.5
GDH-UOS-10-20-09	10	20	9	M5	0.5
GDH-UOS-12-21-09	12	21	9	M5	0.5
GDH-UOS-14-25-10	14	25	10	M6	0.5
GDH-UOS-15-25-08	15	25	8	M6	0.5
GDH-UOS-16-27-09	16	27	9	M6	0.5
GDH-UOS-18-30-09	18	30	9	M6	0.5
GDH-UOS-20-32-09	20	32	9	M6	0.5
GDH-UOS-22-35-10	22	35	10	M6	0.5
GDH-UOS-25-38-11	25	38	11	M8	0.5
GDH-UOS-28-41-12	28	41	12	M8	0.5
GDH-UOS-30-45-12	30	45	12	M8	1
GDH-UOS-32-49-14	32	49	14	M8	1
GDH-UOS-35-52-13	35	52	13	M10	1
GDH-UOS-40-57-13	40	57	13	M10	1
GDH-UOS-45-65-14	45	65	14	M10	1
GDH-UOS-50-72-14	50	72	14	M10	1
GDH-UOS-55-75-14	55	75	14	M10	1
GDH-UOS-60-85-14	60	85	14	M10	1
GDH-UOS-65-90-15	65	90	15	M10	1
GDH-UOS-70-95-15	70	95	15	M10	1
GDH-UOS-75-100-15	75	100	15	M12	1
GDH-UOS-80-110-14	80	110	14	M12	1
GDH-UOS-85-115-14	85	115	14	M12	1

Shaft Collar

Stop screw type

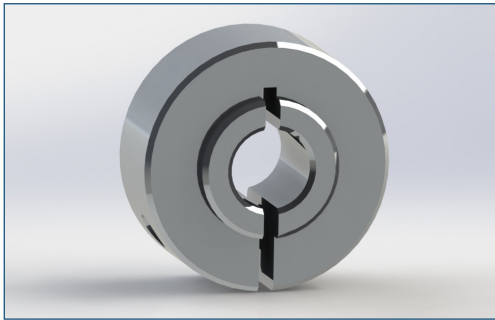


Model No	Shaft Collar		accessories	
	Standard	Material		Surface treatment
GDH-UOP		S45C	Iron tetroxide protective film	2 stop screws
GDH-AOP		2000 series Aluminium alloy	Natural anodizing	2 stop screws(SUS)

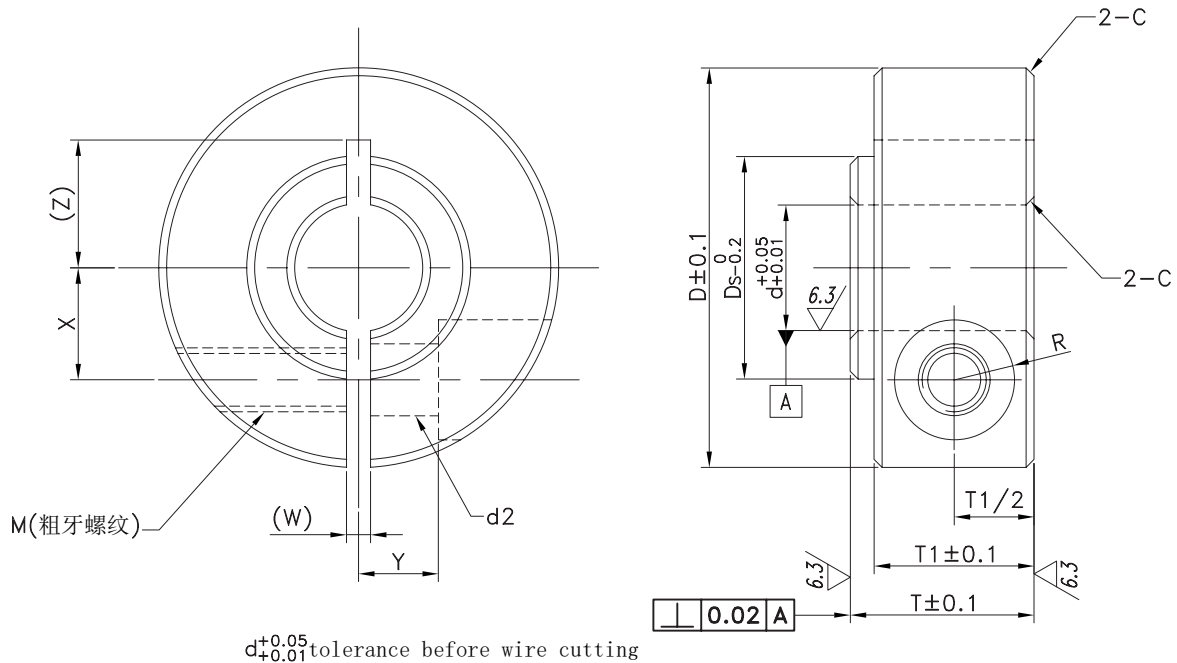


Model No	d	D	T	d1	C	stop screw Mxlength
GDH-UOP-06-12-06 GDH-AOP-06-12-06	6	12	6	11	0.2	M4x3
GDH-UOP-06-12-08 GDH-AOP-06-12-08	6	12	8	11	0.2	M4x3
GDH-UOP-08-14-08 GDH-AOP-08-14-08	8	14	8	12	0.2	M4x3
GDH-UOP-10-16-08 GDH-AOP-10-16-08	10	16	8	13	0.2	M4x3
GDH-UOP-12-20-08 GDH-AOP-12-20-08	12	20	8	15	0.5	M5x4
GDH-UOP-13-22-08 GDH-AOP-13-22-08	13	22	8	18	0.5	M5x4
GDH-UOP-15-24-10 GDH-AOP-15-24-10	15	24	10	20	0.5	M4x3
GDH-UOP-16-26-10 GDH-AOP-16-26-10	16	26	10	22	0.5	M6x5
GDH-UOP-18-32-10 GDH-AOP-18-32-10	18	32	10	27	0.5	M6x5
GDH-UOP-20-32-10 GDH-AOP-20-32-10	20	32	10	27	0.5	M6x5
GDH-UOP-25-38-12 GDH-AOP-25-38-12	25	38	12	31	0.5	M5x4
GDH-UOP-30-46-15 GDH-AOP-30-46-15	30	46	15	38	1	M8x6
GDH-UOP-35-50-15 GDH-AOP-35-50-15	35	50	15	40	1	M8x6
GDH-UOP-40-60-20 GDH-AOP-40-60-20	40	60	20	45	1	M10x8
GDH-UOP-50-70-22 GDH-AOP-50-70-22	50	70	22	55	1	M10x8





Model No	Shaft Collar		accessories	
	Standard	Material		Surface treatment
GDH-AOCT		2000 series Aluminium alloy	clear anodizing	1 hexagon socket bolt (SUS)

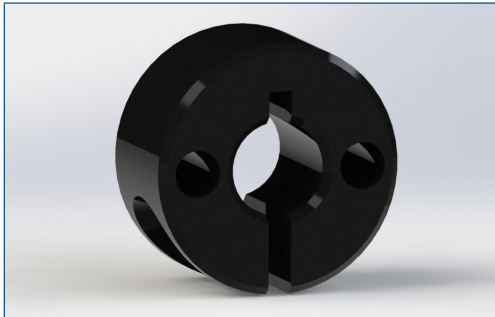


$d_{+0.05}^{+0.01}$ tolerance before wire cutting

Model No	d	D	T	DS	M coarse thread	T1	d2	R	W	X	Y	Z	C
GDH-AOCT-08-14-28-11.5	8	25	11.5	14	M4	10	4.5	3.75	1.5	7	5	7~9	0.5
GDH-AOCT-10-14-30-11.5	10	30	11.5	14	M4	10	4.5	3.75	1.5	9	5	10	0.5
GDH-AOCT-12-14-30-11.5	12	30	11.5	14	M4	10	4.5	3.75	1.5	10	5	10	0.5
GDH-AOCT-15-17-34-11.5	15	34	11.5	17	M4	10	4.5	3.75	1.5	11.5	6	12	0.5
GDH-AOCT-15-19-34-11.5	15	34	11.5	19	M4	10	4.5	3.75	1.5	11.5	6	12	0.5
GDH-AOCT-17-20-34-11.5	17	34	11.5	20	M4	10	4.5	3.75	1.5	11.5	6	12	0.5
GDH-AOCT-17-21-34-11.5	17	34	11.5	21	M4	10	4.5	3.75	1.5	11.5	6	12	0.5
GDH-AOCT-20-23-40-14	20	40	14	23	M5	12	5.5	4.5	1.5	14	7	14	0.5
GDH-AOCT-20-24-40-14	20	40	14	24	M5	12	5.5	4.5	1.5	14	7	14	0.5
GDH-AOCT-25-28-45-14	25	45	14	28	M5	12	5.5	4.5	1.5	17	10	17	0.5
GDH-AOCT-25-29-45-14	25	45	14	29	M5	12	5.5	4.5	1.5	17	10	17	0.5
GDH-AOCT-25-31-45-14	25	45	14	31	M5	12	5.5	4.5	1.5	17	10	17	0.5
GDH-AOCT-30-33-55-17.5	30	55	17.5	33	M6	15	6.6	6	2	20	10	18	0.5
GDH-AOCT-30-35-55-17.5	30	55	17.5	35	M6	15	6.6	6	2	20	10	18	0.5

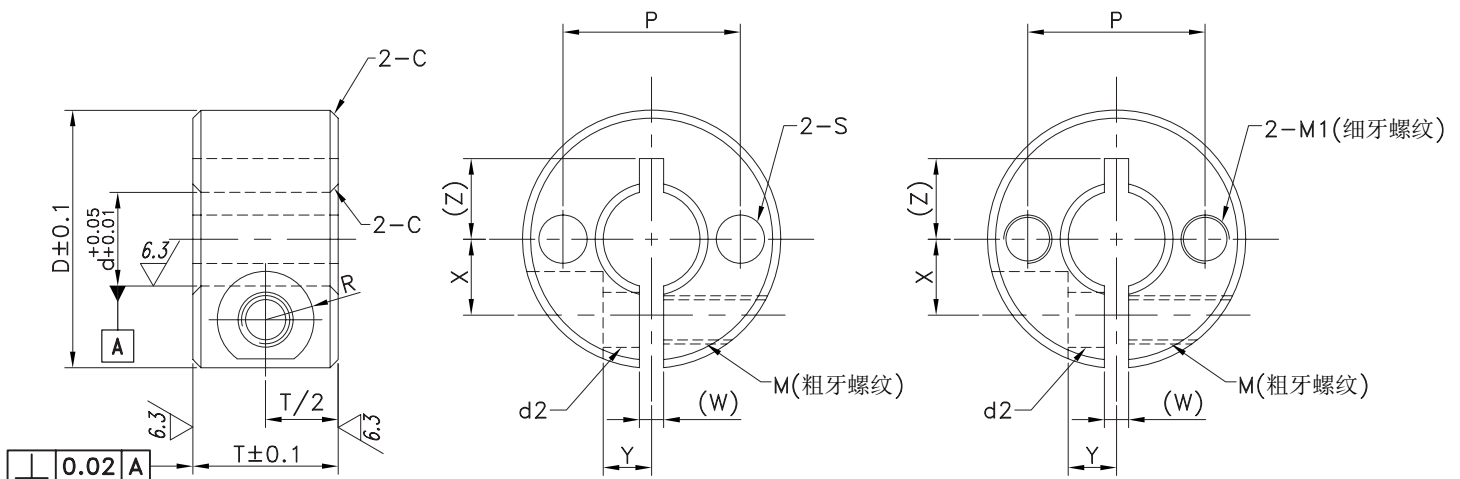
Shaft Collar

Double hole double screw fixed type



Model No	Shaft Collar		accessories	
	Standard	Material		Surface treatment
GDH-UOCO		S45C	black oxide	Carbon steel hexagon socket bolt
GDH-UOCM		S45C	black oxide	Carbon steel hexagon socket bolt

25 / (6.3 /)

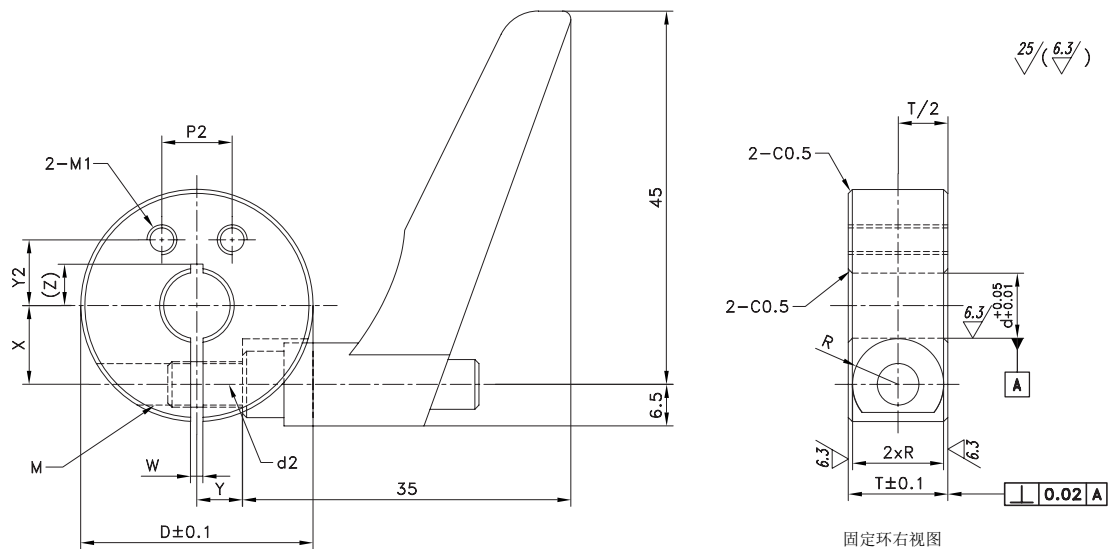


Model No	d	D	T	M coarse thread	d2	C	X	Z	Y	P	S	M1	W	R
GDH-UOCO-06-16-09 GDH-UOCM-06-16-09	6	16	9	M3	3.4	0.5	5	5	3	11	3	M3	1.5	3
GDH-UOCO-08-18-09 GDH-UOCM-08-18-09	8	18	9	M3	3.4	0.5	7	7	3	13.5	4.5	M3	1.5	3
GDH-UOCO-10-24-09 GDH-UOCM-10-24-09	10	24	9	M3	3.4	0.5	8	8	4	17	4.5	M3	1.5	3
GDH-UOCO-12-28-11 GDH-UOCM-12-28-11	12	28	11	M4	4.5	0.5	10	10	5.5	20	5.5	M5	1.5	3.75
GDH-UOCO-15-34-13 GDH-UOCM-15-34-13	15	34	13	M5	5.5	0.5	12	12	6	25	5.5	M5	1.5	4.5
GDH-UOCO-16-34-13 GDH-UOCM-16-34-13	16	34	13	M5	5.5	0.5	12	12	6	25	5.5	M5	1.5	4.5
GDH-UOCO-18-36-13 GDH-UOCM-18-36-13	18	36	13	M5	5.5	0.5	13	12	6	25	5.5	M5	1.5	4.5
GDH-UOCO-20-40-15 GDH-UOCM-20-40-15	20	40	15	M6	6.6	0.5	15	15	6	30	6.6	M5	1.5	6
GDH-UOCO-25-45-15 GDH-UOCM-25-45-15	25	45	15	M6	6.6	0.5	16	16	6.5	35	6.6	M5	1.5	6
GDH-UOCO-30-54-15 GDH-UOCM-30-54-15	30	54	15	M6	6.6	1	20	20	6.5	42	6.6	M6	1.5	6
GDH-UOCO-35-57-15 GDH-UOCM-35-57-15	35	57	15	M6	6.6	1	22	22	6.5	46	6.6	M6	2	6
GDH-UOCO-40-60-15 GDH-UOCM-40-60-15	40	60	15	M6	6.6	1	25	25	7.5	50	9	M6	2	6
GDH-UOCO-50-78-19 GDH-UOCM-50-78-19	50	78	19	M8	9	1	30	30	10.5	64	11	M8	3	7





Model No	Shaft Collar		Fixed Handle		Handle thread	
Standard	Material	Surface treatment	Material	Surface treatment	Material	Surface treatment
GDH-UOKM	S45C	Iron tetroxide protective film	zinc	baking finish	SUM24L	Black chromate gloss treatment



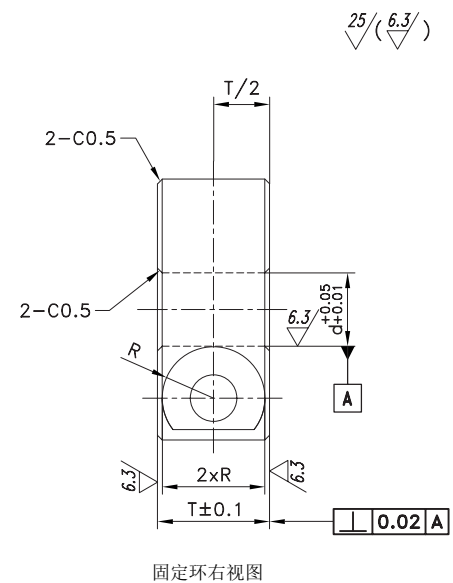
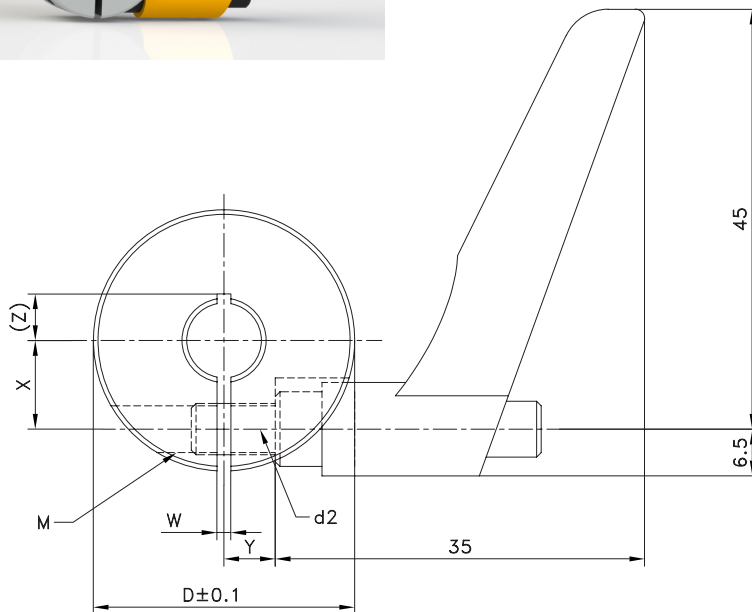
Model No	d	D	T	M coarse thread	M1	d2	P2	Y2	R	W	X	Y	Z
GDH-UOKM-06-35-18	6	35	18	M6	M3	6.6	8	8	7.5	1.5	10	7	13 ~ 15
GDH-UOKM-08-35-18	8	35	18	M6	M3	6.6	10	10	7.5	1.5	10	7	13 ~ 15
GDH-UOKM-10-35-18	10	35	18	M6	M4	6.6	10	10	7.5	1.5	10	7	10 ~ 13
GDH-UOKM-12-40-18	12	40	18	M6	M4	6.6	10	10	7.5	1.5	11	8	13 ~ 15
GDH-UOKM-15-44-18	15	44	18	M6	M5	6.6	12	12	7.5	1.5	13	10	16 ~ 17
GDH-UOKM-16-44-18	16	44	18	M6	M5	6.6	12	12	7.5	1.5	13	10	15 ~ 16
GDH-UOKM-20-48-18	20	48	18	M6	M5	6.6	14	14	7.5	1.5	15	12	17 ~ 18
GDH-UOKM-25-60-18	25	60	18	M6	M5	6.6	16	21	7.5	1.5	18	18	22 ~ 24
GDH-UOKM-30-70-18	30	70	18	M6	M6	6.6	20	25	7.5	1.5	21	23	26 ~ 28

Shaft Collar

Fixed lever type



Model No	Shaft Collar		Fixed Handle		Handle thread	
Standard	Material	Surface treatment	Material	Surface treatment	Material	Surface treatment
GDH-AOK	Aluminium alloy A2017	Natural anodizing	zinc	baking finish	SUM24L	Black chromate gloss treatment



Model No	d	D	T	M coarse thread	M1	d2	R	W	X	Y	Z	Y	Z
GDH-AOK-06-35-18	6	35	18	M6	M3	6.6	7.5	1.5	10	7	13 ~ 15	7	13 ~ 15
GDH-AOK-06-35-19	8	35	18	M6	M3	6.6	7.5	1.5	10	7	13 ~ 15	7	13 ~ 15
GDH-AOK-06-35-20	10	35	18	M6	M4	6.6	7.5	1.5	10	7	10 ~ 13	7	10 ~ 13
GDH-AOK-06-35-21	12	40	18	M6	M4	6.6	7.5	1.5	11	8	13 ~ 15	8	13 ~ 15
GDH-AOK-06-35-22	15	44	18	M6	M5	6.6	7.5	1.5	13	10	16 ~ 17	10	16 ~ 17
GDH-AOK-06-35-23	16	44	18	M6	M5	6.6	7.5	1.5	13	10	15 ~ 16	10	15 ~ 16
GDH-AOK-06-35-24	20	48	18	M6	M5	6.6	7.5	1.5	15	12	17 ~ 18	12	17 ~ 18
GDH-AOK-06-35-25	25	60	18	M6	M5	6.6	7.5	1.5	18	18	22 ~ 24	18	22 ~ 24
GDH-AOK-06-35-26	30	70	18	M6	M6	6.6	7.5	1.5	21	23	26 ~ 28	23	26 ~ 28