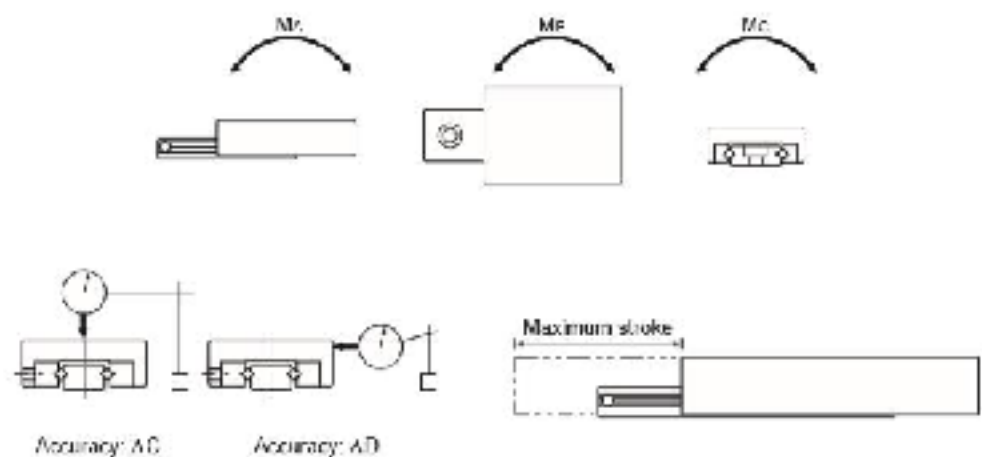
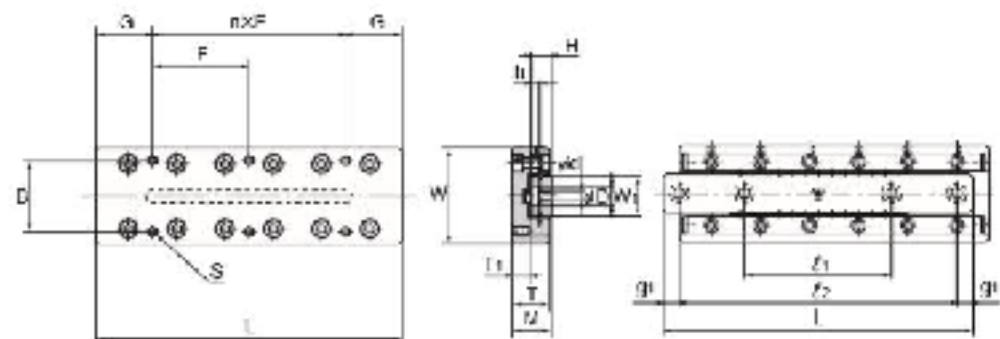


Model VRT-A Miniature Type (Counter Bore Hole Base Type)



Unit: mm

Cross Roller Table

Model No.	Main dimensions					Table surface dimensions				Side surface dimensions				Base surface dimensions Mounting hole position				Basic load rating			Static permissible moment			Accuracy μm	
	Maximum stroke	Width W ±0.1	Height M ±0.1	Length L	Mass g	Table mounting tap position				T	T	H	W ₁	øXDXh	l	e	g ₁	No. of rollers Z	C kN	C ₀ kN	M ₀ N·m	M ₁ N·m	M ₂ N·m	ΔC	ΔD
						B	nxF	G	S																
VRT 1025A	12	20	8	25	23	14	1×18	3.5	M2.6	7.5	3.5	4	5.7	25×41×22	—	18	3.5	5	0.46	0.61	1.52	1.25	2.29	2	4
VRT 1035A	18			—	25		5	7							0.63	0.92	2.62	2.32	3.34						
VRT 1045A	25			—	35		8	10							0.96	1.53	4.14	4.53	5.73						
VRT 1055A	32			—	45		12	12							1.09	1.83	5.92	6.41	6.87						
VRT 1065A	40			—	55		16	14							1.23	2.14	8.00	8.62	8.62						
VRT 1075A	45			—	65		20	18							1.50	2.75	13.3	14.0	10.3						
VRT 1085A	50			—	75		25	20							1.63	3.05	16.4	17.2	11.5						
VRT 2035A	18	30	12	35	78	22	1×28	3.5	M3	11.5	5.5	6	12.2	3.5×6×32	—	25	5	5	0.84	1.09	4.32	3.55	7.06	2	4
VRT 2050A	30			—	35		7.5	7							1.16	1.63	7.45	6.69	10.6						
VRT 2065A	40			—	45		10	9							1.46	2.17	11.8	10.5	14.1						
VRT 2080A	50			—	55		14	12							2.01	3.26	16.0	18.2	21.2						
VRT 2095A	60			—	65		18	14							2.26	3.80	23.0	24.5	24.7						
VRT 2110A	70			—	75		22	17							2.51	4.34	37.9	35.7	28.2						
VRT 2125A	80			—	85		26	19							2.76	4.89	46.7	44.3	31.8						
VRT 3055A	30	40	16	55	226	30	1×40	7.5	M4	15.5	7.5	8	16	4.5×7.5×42	—	40	7.5	6	2.71	3.67	12.2	13.9	31.9	3	6
VRT 3080A	45			—	45		6	10							4.06	6.11	33.1	36.2	53.1						
VRT 3105A	60			—	55		8	13							4.68	7.33	64.6	59.8	63.8						
VRT 3130A	75			—	65		11	17							5.87	9.77	107	100	85						
VRT 3155A	90			—	75		14	20							6.98	12.2	131	138	106						
VRT 3180A	105			—	85		17	24							8.05	14.7	189	196	128						
VRT 3205A	130			—	95		20	26							8.97	16.9	222	230	138						